

# BHARATI VIDYAPEETH INSTITUTE OF TECHNOLOGY

## Question Bank (K - Scheme)

Name of subject: CONSUMER ELECTRONIC SYSTEM

Unit Test :I

Subject code: 314327

Course : EJ

Semester: IV

### CHAPTER-1(Audio Fundamentals) -8 Marks (2 Marks)

- 1) List different types of microphones
- 2) List types of loudspeakers
- 3) Differentiate between mono and stereo amplifier w.r.t. (i) no. of amplifier (ii) applications.
- 4) Define : (i) Fidelity (ii) Selectivity
- 5) Draw frequency response of woofer, midrange tweeter.
- 6) Draw the block diagram of PA system (public address)
- 7) Explain impedance matching of PA system.
- 8) Draw block diagram of Hi Fi amplifier.
- 9) State four characteristics of Hi-fi amplifier

### (4 Marks)

- 1) Compare mono amplifier system with stereo amplifier system
- 2) Compare woofer, midrange and tweeter (any four points)
- 3) Describe the operating principle of condenser type microphone with neat diagram.
- 4) Explain any four basic characteristics of sound signal.
- 5) Describe with the help of diagram the working of crystal type microphone
- 6) Explain the working principle of Electrostatic type loudspeaker.
- 7) Describe with the help of the diagram the working principle of Laser microphone
- 8) Draw and explain home theatre system.
- 9) Draw and explain the block diagram of Hi-fi audio amplifier.
- 10) Draw and explain public address system.
- 11) State the need of crossover network. Explain crossover network with diagram.
- 12) Draw and explain Bluetooth speaker.

### CHAPTER-2(Video Systems) -12 Marks (2-Marks)

- 1) List the advantages of OLED
- 2) Draw block diagram of Direct to Home receiver.
- 3) "Black lit LED TV is better than the edge lit LED TV" justify.
- 4) State the principle used in Quantum dot light emitting diode (QLED) television

### (4-Marks)

- 1) Draw and explain the block diagram of OLED.

- 2) Differentiate between LCD and LED TV.
- 3) Write features and applications of Smart interactive TV.
- 4) Describe working of CCTV system with functional block diagram.
- 5) Explain with sketch the functions of given blocks of DTH.
- 6) Describe with block diagram the working of LCD TV
- 7) Explain the working of LED TV.

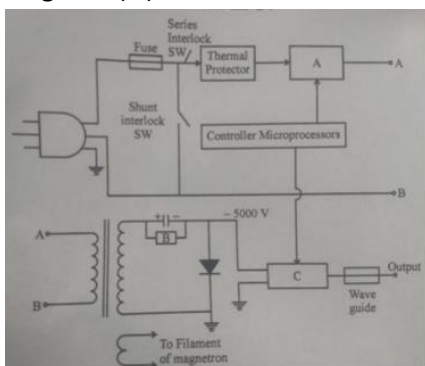
## CHAPTER-3(Consumer Electronic Appliances) -16 Marks

### (2-Marks)

- 1) List any two wiring and safety instructions for use of microwave oven.
- 2) What is the use of pick up device in Digital camera?
- 3) State any four electrical specifications of microwave oven.
- 4) Explain the function of exposur in photocopier machine.
- 5) List the specifications of scanner
- 6) State applications of bar code reader.

### (4-Marks)

- 1) Draw the block diagram and explain the working of photocopier.
- 2) Draw and explain the block diagram of washing machine. State advantages of automatic washing machine.
- 3) Explain the working of microwave oven with diagram.
- 4) Explain working of Digital camcorder.
- 5) State four Electrical specifications with values for washing machine.
- 6) (i)Name the block diagram shown in fig.1 (ii)Identify the block "A","B" &"C" in given block diagram. (iii)State the functions of block"A" and "B".



- 7) "Digital camcorders are best for video recording than digital camera". Justify.
- 8) Explain the picture processing with CCD sensor for DIGICAM
- 9) Describe the working of bar code reader
- 10) Draw and explain working of scanner.